

## Features

- High Quality High-Pressure Pump & Direct Drive Motor
- High Quality Low Pressure Boost Pump included.
- LCD Graphical Touchscreen Control
- LCD Digital Salinity Monitor
- Reliable PLC Control Unit
- Auto Divert Valve for Product Water
- Low Pressure Safety Shut-Off
- High Pressure Safety Relief
- Fresh Water Flush System
- 30 & 5 Micron Pre-Filter System
- Precision Product Flow Gauge
- Low and High Pressure Gauges
- Product Water Sample Port
- Tank Full Indication and Stop (optional tank switch required)
- Supplied with Custom Length HP Hoses (if required)
- Easy Servicing and Parts Availability
- Low Maintenance Costs
- Robust Design



## AFD800AC

Aquafresh Watermakers are hand built in the U.K and individually tested to ensure each one meets the performance requirements for volume and quality of potable water.

Every watermaker undergoes a stringent test programme to guarantee that your Aquafresh conforms to the highest standards and is delivered in perfect condition.

All of the components used on our watermakers are selected for practicality, corrosion resistance, availability and ease of replacement anywhere in the world. Quite simply your Aquafresh Watermaker has been designed and engineered with robust reliability in mind, continually supplying high quality freshwater year after year.

Our rejection and recovery rates are amongst the very best in the industry, something that our competitors often fail to mention.

---

# Watermaker Specification AFD800AC

---

## Main Panel:

Length	634mm
Height	401mm
Depth	251mm
Total Weight	70kg
AC Voltage	230vAC 50/60Hz
AC Power Requirement	12Amps/240vAC

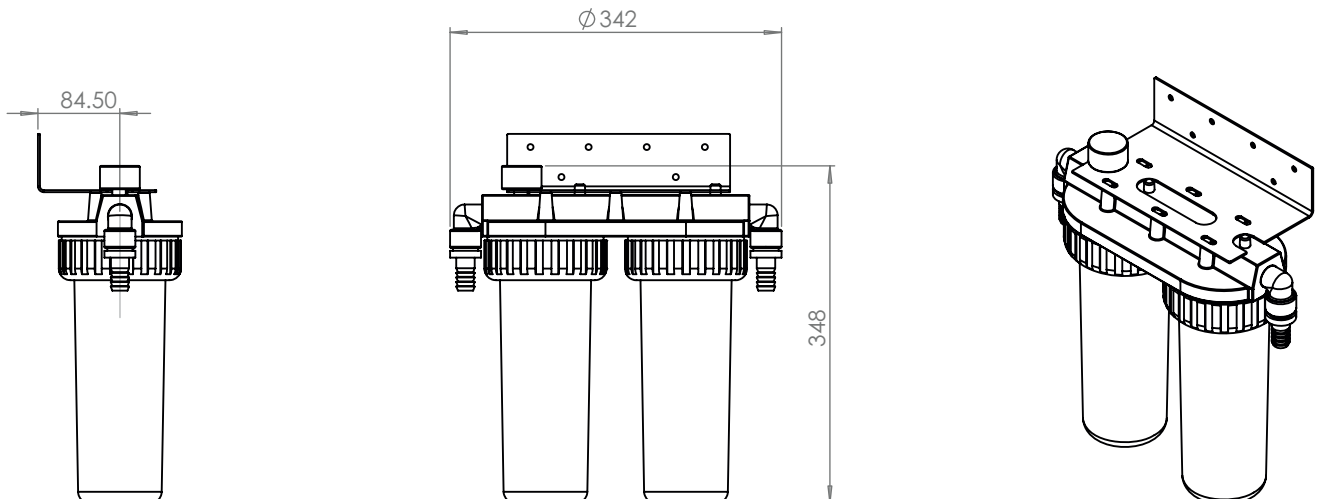
## Water Production Rates\* :

Litres / Hour	126.0
UK Gallons / Hour	27.71
US Gallons / Hour	33.29
Rejection Rate (salt)	99.02%
Recovery Rate (potable water)	15.1%

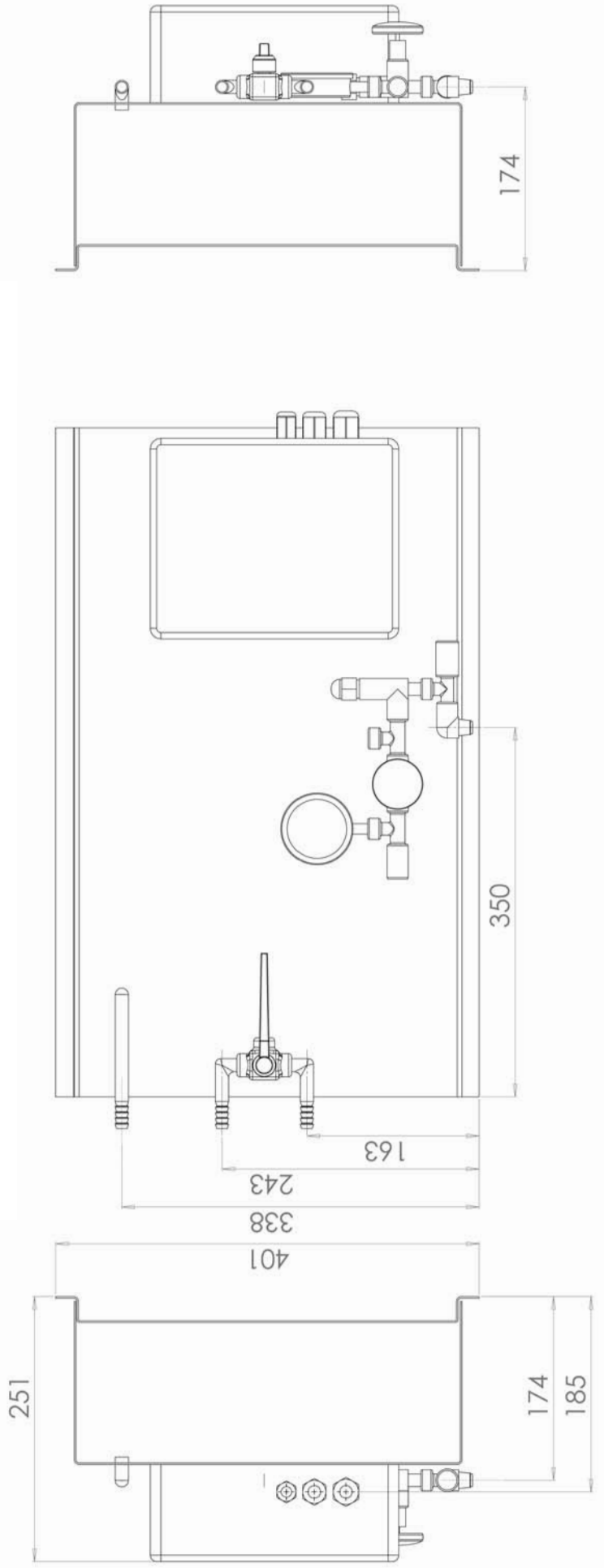
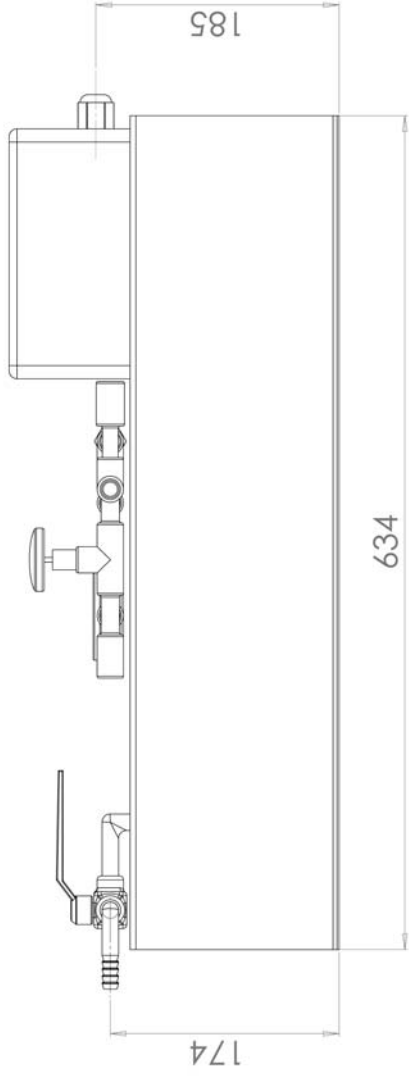
\*Production rates based on feed water of 25°C, 35000ppm @900psi

---

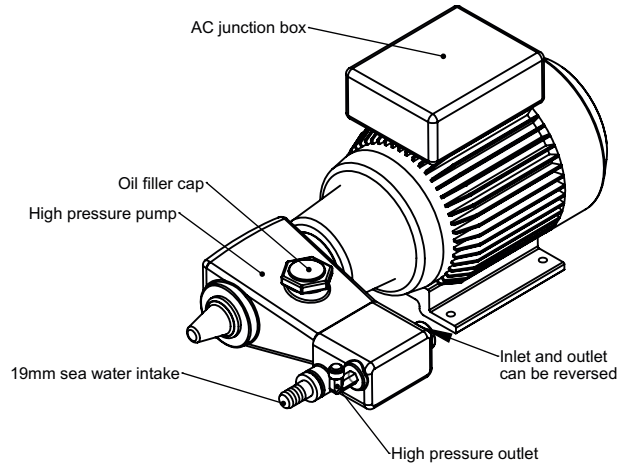
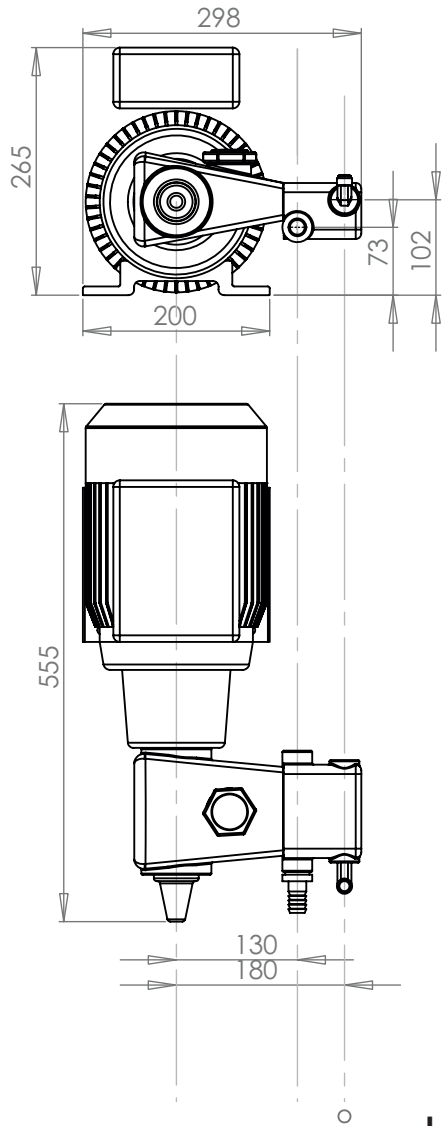
## Standard PreFilter Housing



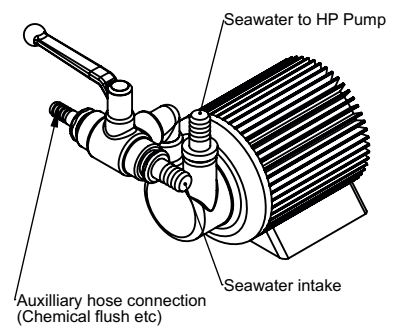
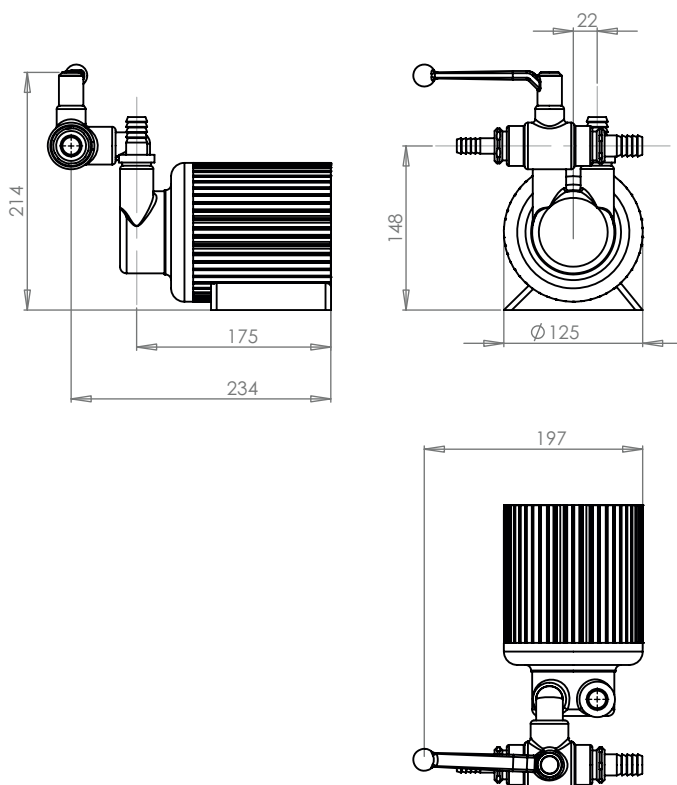
# Main Panel



# HP Feed Pump



# LP Boost Pump



**Aquafresh Watermakers Ltd.**  
**Western Wood Way**  
**Langage Science Park**  
**Plymouth**  
**Devon**  
**PL7 5BG**  
**U.K**

Tel: +44 1752 208810  
 Fax: +44 1752 208811

[info@aquafreshwatermakers.com](mailto:info@aquafreshwatermakers.com)