

Generator Weights and Dimensions

| | Without Sound Shield | With Sound Shield |
|------------------|-------------------------|----------------------|
| Weight, kg (lb.) | | |
| Wet | 440 (970) | 480 (1059) |
| Dry | 422 (930) | 462 (1019) |
| Length, mm (in.) | 1121 (44.13) | 1197 (47.12) |
| Width, mm (in.) | 577.5 (22.74) | 652.5 (25.69) |
| Height, mm (in.) | 694 (27.31) | 711 (27.99) |

Generator Ratings

| Model Generator (Alternator) | Voltage | Hz | 25 °C (77 °F) Amps | 25 °C (77 °F) kW/kVA | Ph |
|------------------------------------|----------------|----|-----------------------|-------------------------|----|
| 21EKOZD (4E4.2) | 120 120/240 | 60 | 175 88 | 21/21 | 1 |
| 18EFKOZD (4E4.2) | 230 240 | 50 | 79 61 | 18/18 14.5/14.5 | 1 |

RATINGS: Marine continuous ratings per ISO 3046, ISO 8528-1, and Kohler technical information bulletin TIB-117. Obtain technical information bulletin (TIB-101) on ratings guidelines for complete ratings definitions.

Availability is subject to change without notice. Kohler Co. reserves the right to change the design or specifications without notice and without any obligation or liability whatsoever. Contact your local Kohler generator distributor for availability.

Marine Generator Set

Engine Features

- Diesel fueled
- Certified by the Environmental Protection Agency (EPA) to conform to Tier III marine auxiliary standards (60 Hz model only)
- Four cylinder
- Four cycle
- Closed cooling system
- Heat exchanger
- Electric fuel lift pump
- Lifting eye

Generator Features

- Class H insulation
- Multivoltage adjustability
- Voltage regulation of $\pm 1.0\%$
- Radio suppression

Decision-Maker® 3500 Paralleling Controller

- A graphical display and pushbutton/rotary selector dial provide easy, local data access
- Measurements are selectable in metric or English units
- The controller supports Modbus® protocol with serial bus (RS-485) or Ethernet networks
- Scrolling display shows critical data at a glance
- Graphical display of power metering (kW, kVA, V, I, PF, and VAR)
- Integrated hybrid voltage regulator providing $\pm 0.5\%$ regulation
- Built-in alternator thermal overload protection

Optional Accessories

- Aluminum sound shield
- Remote digital gauge
- Remote digital display
- Siphon break
- Circuit breakers

Modbus® is a registered trademark of Schneider Electric.

Application Data

Engine

| Engine Specifications | 60 Hz | 50 Hz |
|---|------------------------------|-------|
| Type | 4 cycle, naturally aspirated | |
| Cylinder, quantity | 4 | |
| Displacement, L (cu. in.) | 2.5 (151) | |
| Bore and stroke, mm (in.) | 88 x 102 (3.46 x 4.02) | |
| Compression ratio | 17:1 | |
| Combustion system | Direct injection | |
| Rated rpm | 1800 | 1500 |
| Max. power at rated rpm, HP | 38.7 | 34.1 |
| Governor, type | Mechanical | |
| Frequency regulation, mechanical governor | | |
| No load to full load (droop) | 5% | |
| Steady state | ±0.7% | |
| Angular operation | | |
| Instant (1 min.) | 35° | |
| Intermittent (30 min.) | 25° | |

Engine Electrical

| Engine Electrical System | 60 Hz | 50 Hz |
|---------------------------------|----------------------------|-------|
| Battery, voltage | 12 or 24 volt | |
| Battery charging module | 10-amp | |
| Battery, minimum recommendation | 650 CCA @ 0°F | |
| Starter motor | 2 kW, 12 V 2.5 kW, 24 V | |

Cooling

| Cooling System | 60 Hz | 50 Hz |
|--|-----------------------------------|-----------|
| Capacity, L (qt.), approx. | 4.4 (4.6) | |
| Heat exchanger type | 2.5 in. dia. x 2 pass | |
| Seawater pump type | Belt-driven, 10-blade impeller | |
| Heat rejected to cooling water at rated kW, wet exhaust, kW (Btu/min.) | 18.5 (1050) | 23 (1300) |
| Engine water pump flow, Lpm (gpm) | 53 (14) | 47 (12) |
| Seawater pump flow, Lpm (gpm) | 30 (8) | 27 (7.15) |

Fuel

| Fuel System | 60 Hz | 50 Hz |
|--|-----------|-------|
| Fuel shutoff solenoid | Electric | |
| Fuel pump | Electric | |
| Maximum recommended fuel lift, m (ft.) | 1.2 (4.0) | |

Lubrication

| Lubricating System | 60 Hz | 50 Hz |
|---------------------------------------|-------------------------|-------|
| Oil pan capacity with filter, L (qt.) | 11 (11.6) | |
| Oil pump type | Pressure, trochoid pump | |

Operation Requirements

| Air Requirements | 60 Hz | 50 Hz |
|--|-------------|-------------|
| Engine combustion air requirements, L/min. (cfm) | 1840 (65.1) | 1676 (59.2) |
| Generator cooling requirements, L/min. (cfm) | 9175 (325) | 7645 (270) |
| Max. air intake restriction, kPa (in. H ₂ O) | 2.5 (10.0) | 2.0 (8.0) |
| Exhaust flow, m ³ /min. (cfm) | 1.8 (66) | 1.6 (56) |
| Exhaust temp., °C (°F) at full load | 450 (842) | 310 (590) |
| Max. allowed exhaust back pressure, kPa (in. H ₂ O) | 8.5 (34.1) | 6.5 (26.1) |

| Fuel Consumption | 60 Hz | 50 Hz |
|------------------------------------|------------|-------------|
| Diesel, Lph (gph) at % load | | |
| 100% | 6.7 (1.77) | 4.97 (1.31) |
| 75% | 5.2 (1.39) | 3.78 (1.00) |
| 50% | 3.7 (0.98) | 2.62 (0.69) |
| 25% | 2.3 (0.61) | 1.51 (0.40) |

Note: The fuel consumption of the 60 Hz model is based on 21EKOZD and the fuel consumption of the 50 Hz model is based on 18EFKOZD.

Engine Features

- Low oil pressure shutdown
- High engine temperature shutdown
- Low seawater pressure shutdown
- Vibromount
- Belt guard
- Disposable oil filter
- Oil drain valve
- Disposable fuel filter

Alternator Features

- Brushless, rotating field design permits power to be obtained from stationary leads.
- Windings are vacuum impregnated with epoxy varnish for dependability and long life.
- Rotors are dynamically balanced to minimize vibration.
- Copper windings ensure minimal heat buildup. Insulation meets NEMA standards for class H insulation.
- Direct connected to the engine, the generator has sealed precision ball bearings with a precision-machined steel sleeve in the end bracket to prevent shaft misalignment and extend bearing life.
- Mounted on a drip-proof tray.
- Equipped with a four-lead reconnectable stator.
- Capable of sustained line-to-neutral short circuit current of up to 300% of the rated current for up to 2 seconds. (IEC 60092-301 short-circuit performance.)

Application Data



Decision-Maker® 3500 Controller

Provides advanced control, system monitoring, and system diagnostics for optimum performance and compatibility. The Decision-Maker® 3500 controller uses a patented hybrid voltage regulator and unique software logic to manage alternator thermal overload protection features normally requiring additional hardware. Additional features include:

- **AC Output Voltage Regulator Adjustment.** The voltage adjustment provides a maximum adjustment of $\pm 10\%$ of the system voltage.
- **Alarm Silence.** The controller can be set up to silence the alarm horn only when in the AUTO mode for NFPA-110 application or Always for user convenience.
- **Alternator Protection.** The controller provides generator set overload and short circuit protection matched to each alternator for the particular voltage/phase configuration.
- **Automatic Restart.** The controller automatic restart feature initiates the start routine and recrank after a failed start attempt.
- **Cyclic Cranking.** The controller has programmable cyclic cranking.
- **ECM Diagnostics.** The controller displays engine ECM fault code descriptions to help in engine troubleshooting.
- **Engine Start Aid.** The configurable starting aid feature provides customized control for an optional engine starting aid.
- **Event Logging.** The controller keeps a record (up to 1000 entries) for warning and shutdown faults. This fault information becomes a stored record of system events and can be reset.
- **Historical Data Logging.** Total number of successful starts of the generator is recorded and displayed.
- **Integrated Hybrid Voltage Regulator.** The voltage regulator provides $\pm 0.5\%$ no-load to full-load RMS voltage regulation with three-phase sensing.
- **Lamp Test.** Press the alarm silence/lamp test button to verify functionality of the indicator lights.
- **LCD Display.** Adjustable contrast for improving visibility.
- **Measurement Units.** The controller provides selection of English or metric displays.
- **Power Metering.** Controller graphical display provides voltage, current, power factor, kW, kVA, and kVAR.
- **Programming Access (USB).** Provides software upgrades and diagnostics with PC software tools.
- **Remote Reset.** The remote reset function supports acknowledging and resetting faults and allows restarting of the generator set without going to the master control switch off/reset position.
- **Run Time Hourmeter.** The generator set run time is displayed.
- **Time Delay Engine Cooldown (TDEC).** The TDEC provides a time delay before the generator set shuts down.
- **Time Delay Engine Start (TDES).** The TDES provides a time delay before the generator set starts.
- **Voltage Selection Menu.** This menu provides the capability to switch the generator output voltage. NOTE: Generator set output leads may require reconnection.
- **Paralleling Functions:**
 - Bus sensing
 - First on logic
 - Synchronizing
 - Communication based isochronous load sharing
 - Droop load sharing
 - External controlled load sharing via analog bias signals

Accessories

Sound Shield

Provides for highly effective silencing, ease of access for engine/generator servicing, low maintenance, excellent durability, and safety. The sound shield's customer connection panel includes connections for the following:

- Battery (positive and negative)
- Equipment ground
- Fuel inlet and return
- Seawater inlet
- Water-cooled exhaust outlet
- Oil drain
- Customer load lead access
- Customer interface

Siphon Break

Mandatory kit on generators installed below the waterline. Prevents the siphoning of flotation water into the engine.

Line Circuit Breakers

Protect the generator from extreme overload.

Ship-to-Shore Switch

Allows immediate switching to Kohler® generator set power or shore power protecting the electrical system from the possibility of simultaneous connection of both power sources.

Remote Digital Gauge

Allows starting and stopping from a location remote from the generator set.

- 3 in. gauge for J1939
Requires a 76.2 mm (3 in.) dia. hole for mounting.

Remote Digital Display

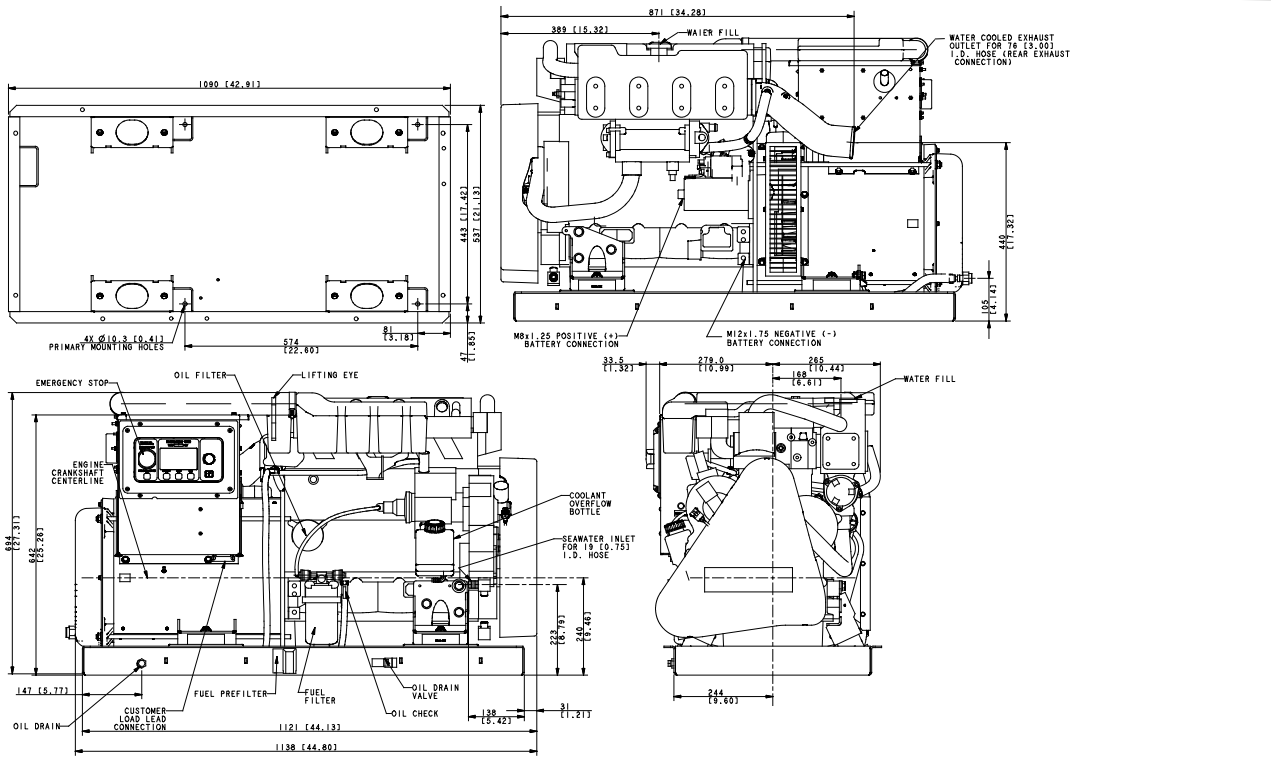
Allows starting, stopping, and monitoring from a location remote from the generator set.

Remote Connection/Extension Harness

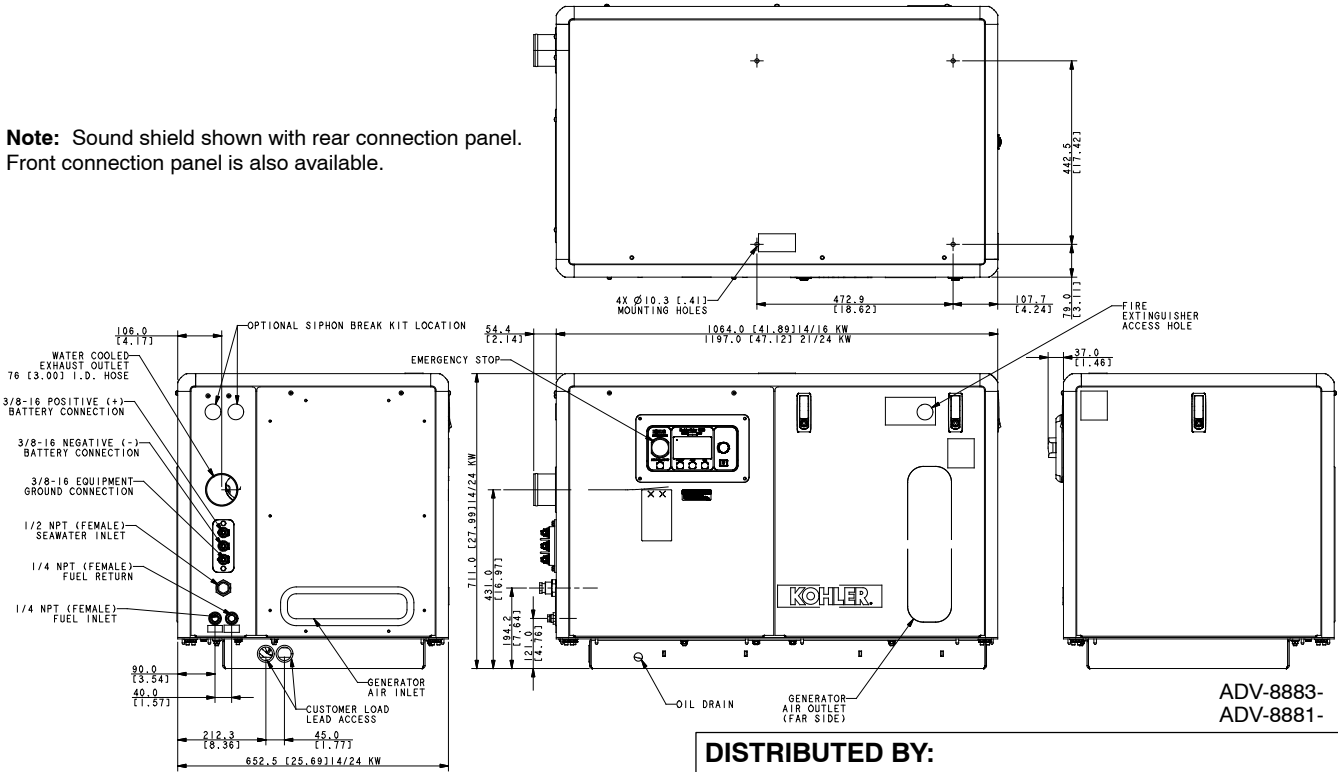
Provides wiring for the remote digital gauge.

12-Inch Remote Wiring Harness

Equipped with a 12-pin connector on one end that connects to the standard customer interface connector. Equipped on the other end with leads for connection to customer-supplied wiring.



Note: Sound shield shown with rear connection panel. Front connection panel is also available.



ADV-8883-
ADV-8881-

DISTRIBUTED BY:

NOTE: Dimensions are shown in mm [in.].

NOTE: This drawing is provided for reference only and is not intended for installation planning. Contact your local distributor for more detailed information.

© 2016 by Kohler Co. All rights reserved.